

醫用工具及配件系列(自停頭顱鑽)

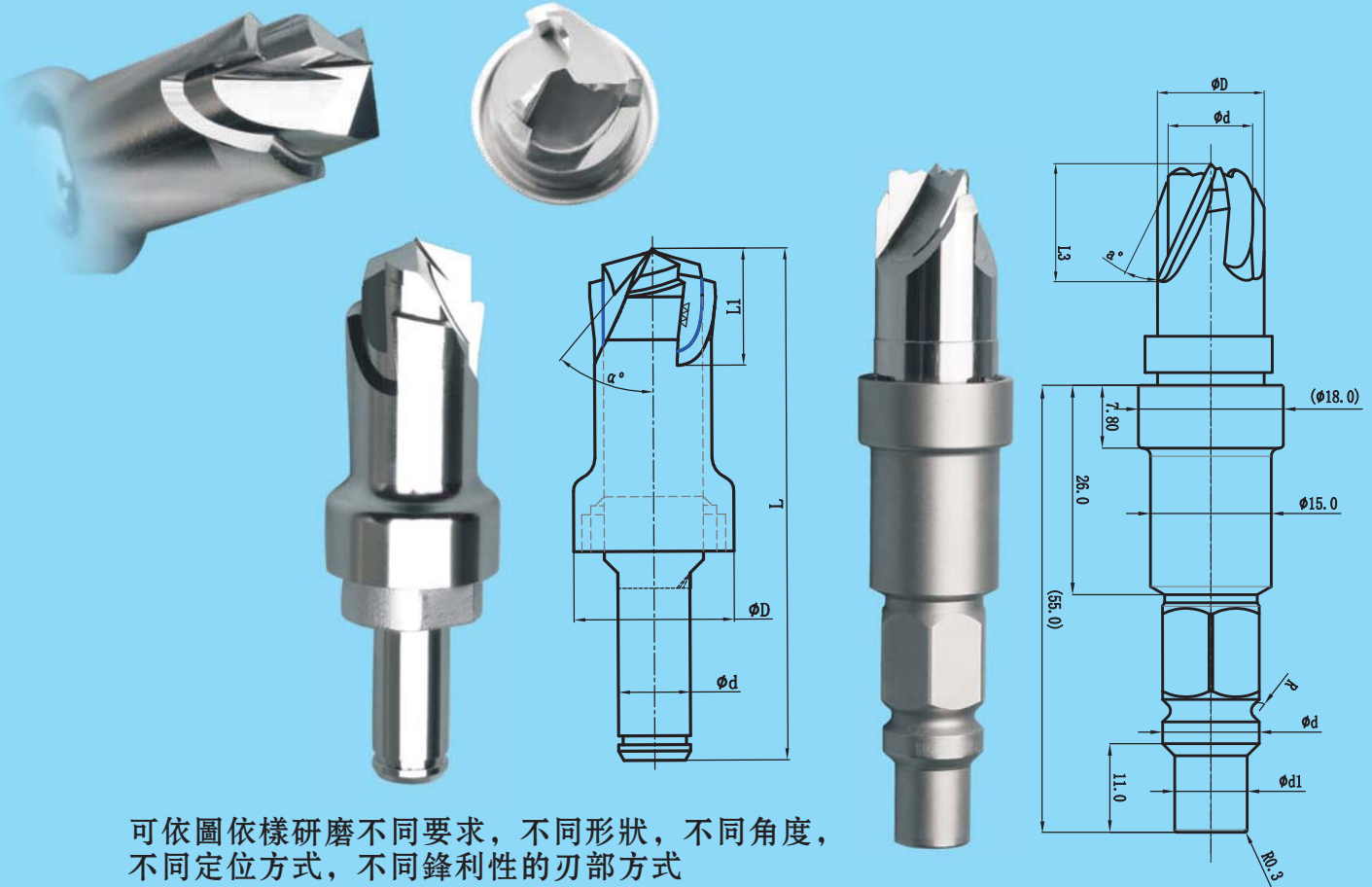
Medical tools and parts series(Auto stop cranial perforators)

医療器具及び部品シリーズ(自動停止頭蓋骨ドリル)

(高耐磨型&CNC 鋒利刃口 & 高精密度配合)

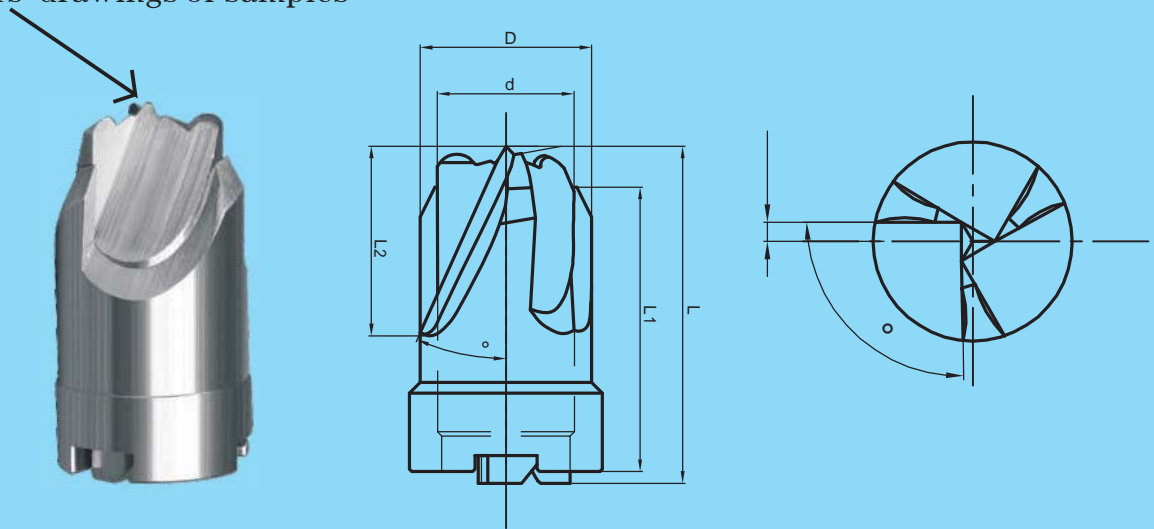
(High wear-resistant & CNC sharp edge & high precision fit)

(高耐磨耗型&CNC 銳利刃先&高精度接合)



可依圖依樣研磨不同要求，不同形狀，不同角度，不同定位方式，不同鋒利性的刃部方式

We could grind cutting edge according to different requirements and shapes as customers' drawings or samples



刃部及柄部結構均可依要求，制作不同材料，不同顏色的結構、形狀方式

Production of cutting edge and shank could be as customers' requirement We produce with different materials and colors Different structures and shapes

★可超硬、超精研磨。任意的柄部類型、芯厚、容屑槽寬度、刃背方式、鑽尖方式、內冷卻孔方式、刃部結構、刃口角度、刃口鋒利程度之要求。及高可至±0.003mm (3μm) 的尺寸公差要求 We can produce with super hard and super finish grinding and satisfy your requirement of any type of shank, web thickness, width of chip flute, land, drill tip, inner cooling hole, structure of cutting edge, angle of cutting edge, degree of sharpness of cutting edge, and the dimension tolerance can be up to ±0.003mm (3μm)