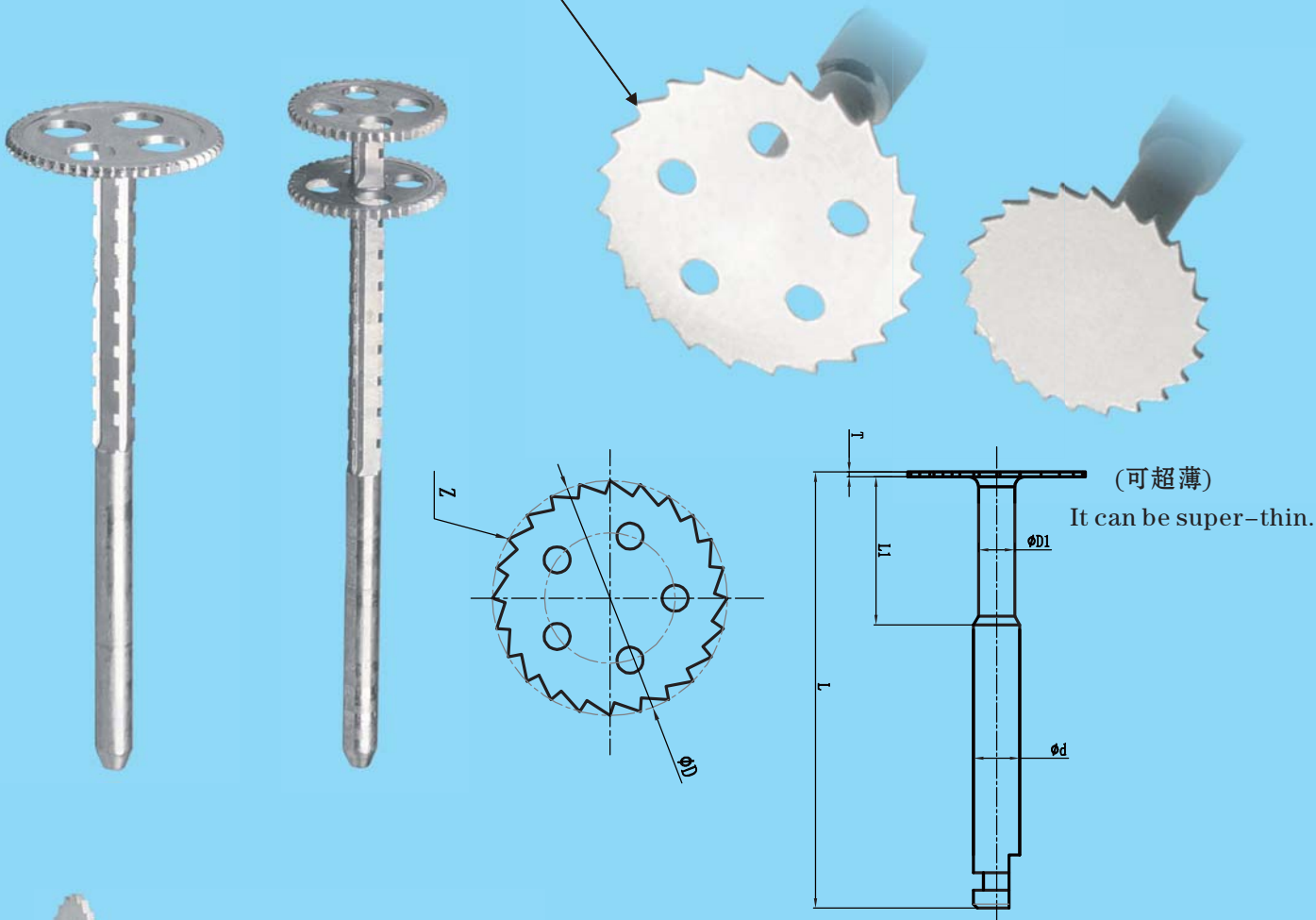


醫用工具及配件系列 (骨鋸, 輪鋸)  
 Medical tools and parts series (Bone saw blades)  
 医療器具及び部品シリーズ (骨鋸, 丸鋸)

(超鋒利刃口&超高耐磨&超高防銹&高精密度)  
 (Ultra-sharp edge & ultra-high wear-resistant  
 & ultra-high rust & high precision)  
 (超銳利刃先&超耐磨耗&超防鏽&高精度)

可生产不同齿型、齿数、角度、精度外径与厚度公差  
 We can produce different shapes of tooth, number of tooth,  
 precision outer diameter and thickness tolerance.



部分尺寸(A) : some sizes (A)

刃径 D Diameter	7.0	9.0
柄径 d Shank dia	2.35	2.35
厚度T Thickness	0.25	0.25
总长L Overall length	22.1	22.1
刃数Z No. of lufe	24	24

可以依圖依樣鏡面研磨加工任意材種, 形狀、特殊、異型、精度公差之產品。We can make tools with any material, any shape,  
 special kind, special type, abnormal shape and precision and tolerance by mirror surface grinding according to your drawings or samples