

刀具, 配件 (钻头/起子) 部分柄部类型

Partial shank types for cutters, accessories (drills/drivers)

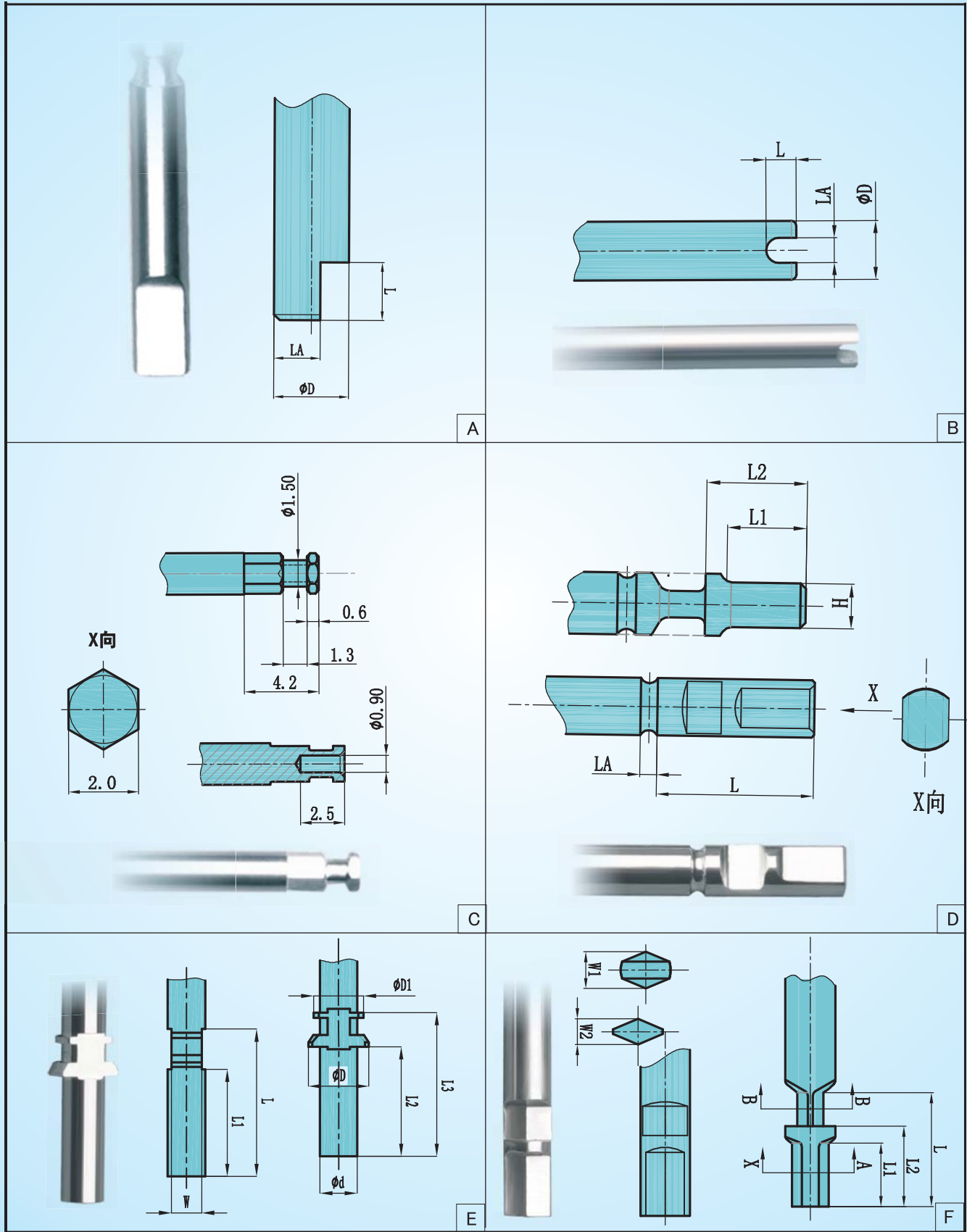
刃物、部品 (ドリル/ドライバー) の一部柄部タイプ

超高防锈高硬度型 (AA) & 超高耐磨型 (A/AA) & 超高精密加工
(Super-high anti-rust and high hardness type (AA) & Super wear-resistant type (A/AA) & Super-high precision process)

★、各種鑽頭、鑽套可以采用任意材料及幾何形狀、成型超精、超硬研磨成型

(Super-high anti-rust and high hardness type (AA) & Super wear-resistant type (A/AA) & Super-high precision process)

★、All drills and tappers are available in any material ratio of geometrical shape by profile superfinishing and superhard grinding



★、依圖依樣尺寸公差要求可生產特殊、復合、異型、超大超細超長組合成型的系列刀具。We can produce special, compound, special-shaped, super-large/ super-thin/ super-long combined profile series tooling according to requirements of drawings, samples, and dimension tolerance. 圖面、サンプル、または寸法の公差要求により特殊、複合、異型または超大、超細、超長の組合せ成型のシリーズカッタを生産できる。