



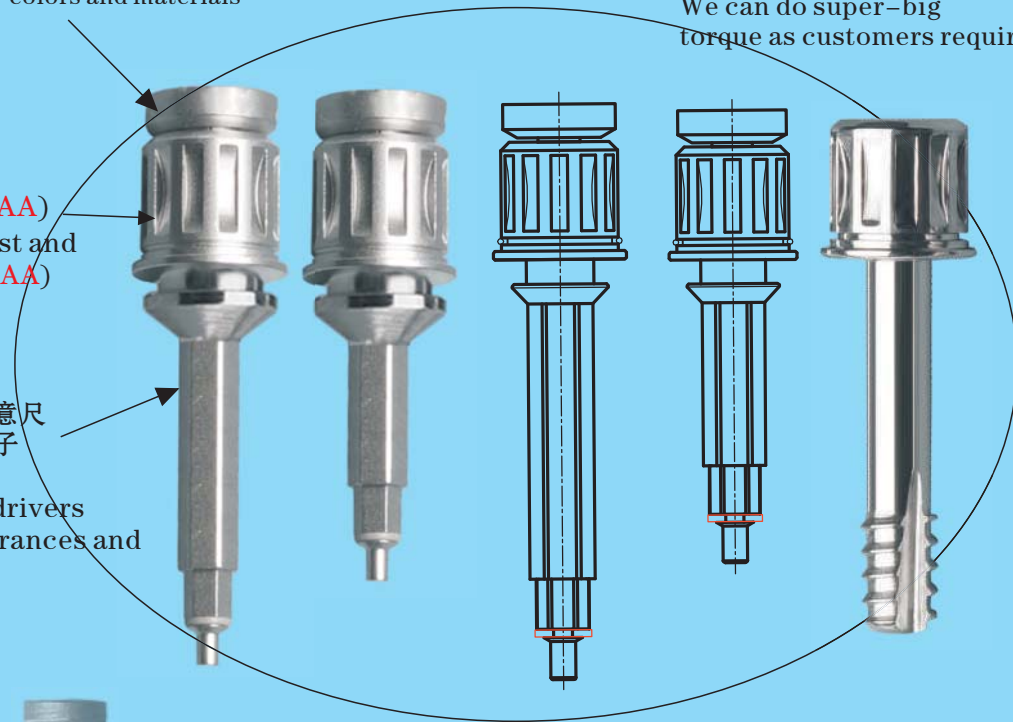
可配制不同顏色及不同材料的圓圈帽  
 We can do round caps with different colors and materials

依要求可定制超大扭力型

We can do super-big torque as customers require

超高防銹高硬度型(AA)  
 Super-high anti-rust and high hardness type(AA)

可依圖依樣加工任意尺寸公差及形狀的起子  
 方式和結構  
 We can customize drivers with any sizes, tolerances and shapes.



★ 超高防銹高硬度高耐磨、高剛性、高抗衝擊、高韌性不銹鋼、鈦、鈦合金等高精度、超細、超長、超硬加工成型。  
 Ultra-high rust-resistant, high-hardness, high-wear-resistant, high-rigidity, high-impact-resistant & high-toughness stainless steel, titanium, titanium alloy, etc., with high-precision, ultra-fine, ultra-long, super-hard machine shaping.