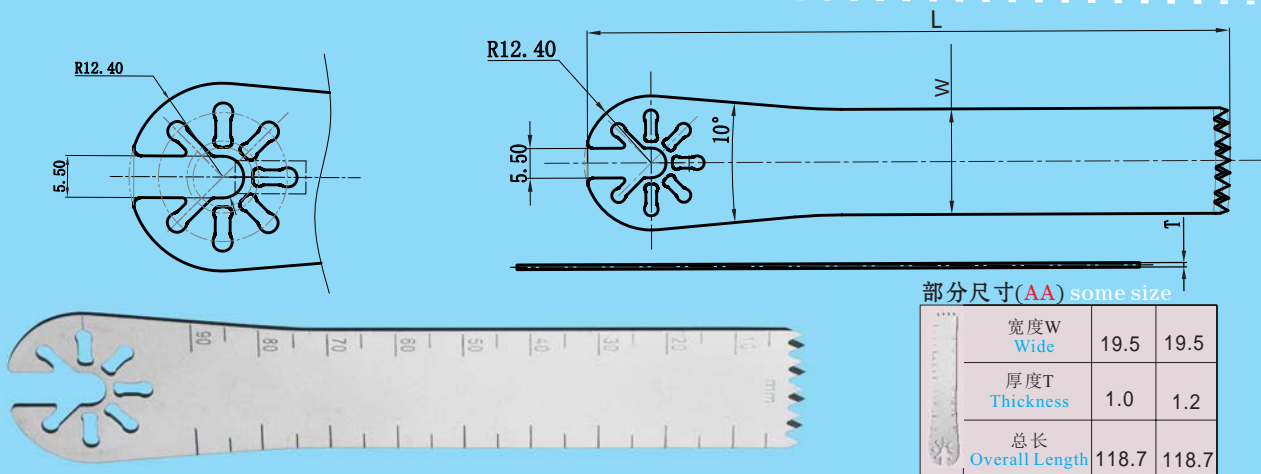
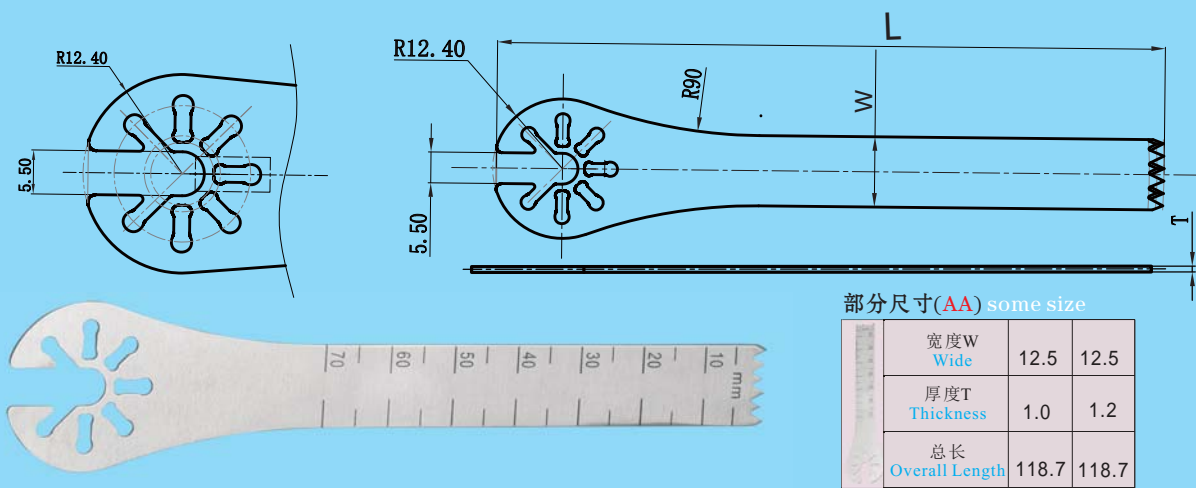
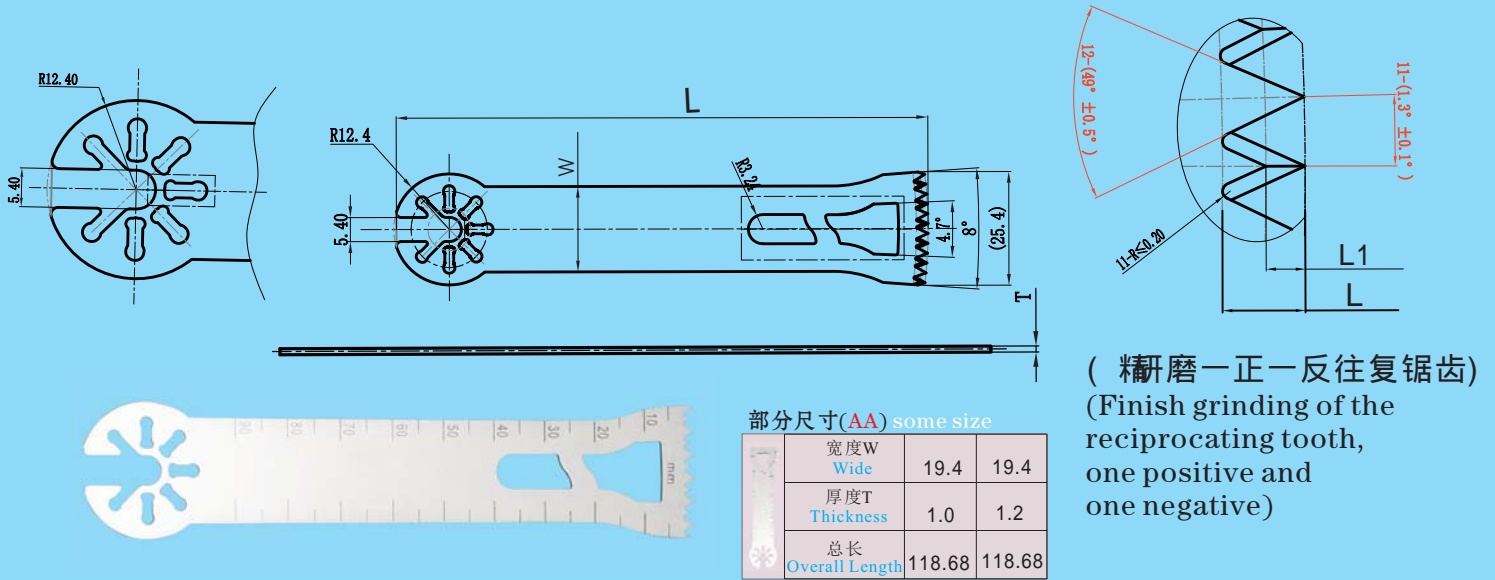


醫用工具及配件系列 (骨鋸)
 Medical tools and parts series (Bone saw blades)
 醫療器具及び部品シリーズ (骨鋸)

(超鋒利刀口&超高耐磨&超高防銹&高精密度)
 (Ultra-sharp edge & ultra-high wear-resistant
 & ultra-high rust & high precision)
 (超銳利刃先&超耐磨耗&超防鏽&高精度)



可以依圖依樣精研磨加工任意材種，形狀、特殊、異型、精度公差之產品。 We can make tools with any material, any shape, special kind, special type, abnormal shape and precision and tolerance by mirror surface grinding according to your drawings or samples