

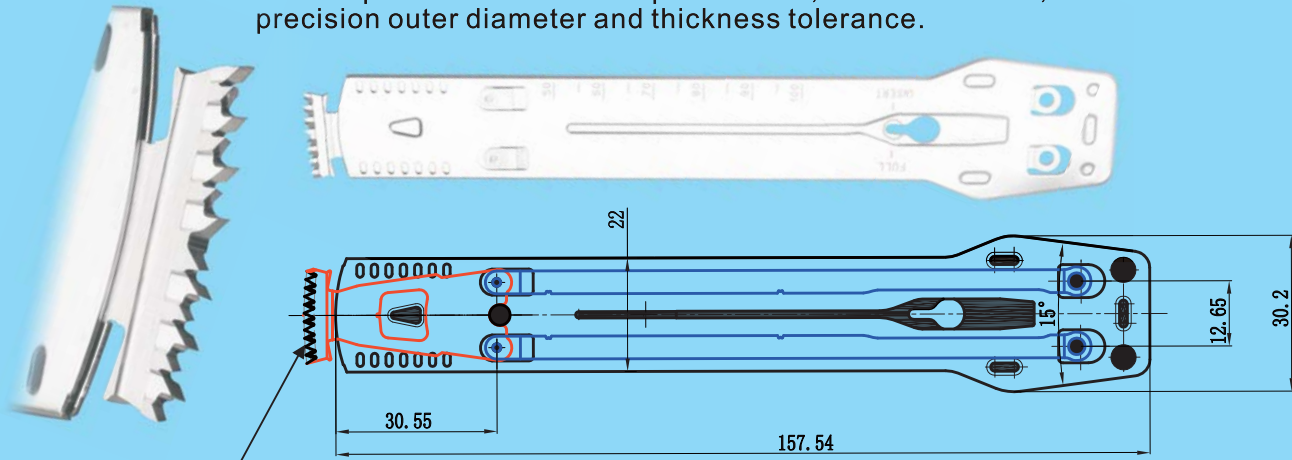
醫用工具及配件系列（骨鋸）

Medical tools and parts series (Bone saw blades)

医療器具及び部品シリーズ（骨鋸）

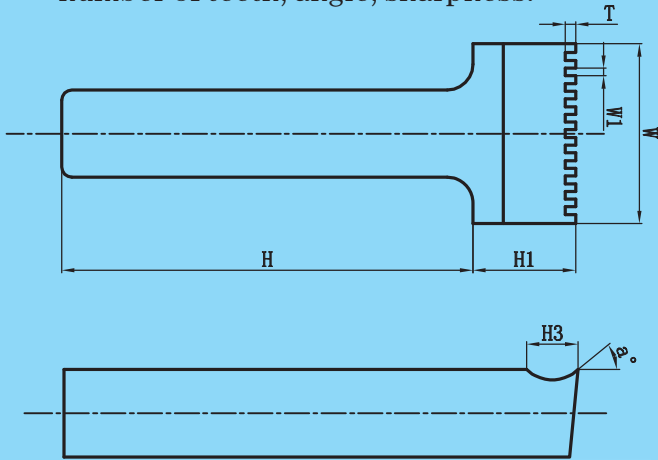
(超鋒利刃口&超高耐磨&超高防銹&高精密度)  
 (Ultra-sharp edge & ultra-high wear-resistant  
 & ultra-high rust & high precision)  
 (超銳利刃先&超耐磨耗&超防銹&高精度)

可生产不同齿型、齿数、角度、精度外径与厚度公差  
 We can produce different shapes of tooth, number of tooth,  
 precision outer diameter and thickness tolerance.



满足装配空间下，锯齿依要求可定制不同的  
 厚度、宽度、齿形、齿数、角度、锋利性。

If meet the assembly space demand, saw tooth can be  
 customized with different thickness, width, tooth shape,  
 number of teeth, angle, sharpness.



可以依圖依樣鏡面研磨加工任意材種，形狀、特殊、異型、精度公差之產品。We can make tools with any material, any shape,  
 special kind, special type, abnormal shape and precision and tolerance by mirror surface grinding according to your drawings or samples