

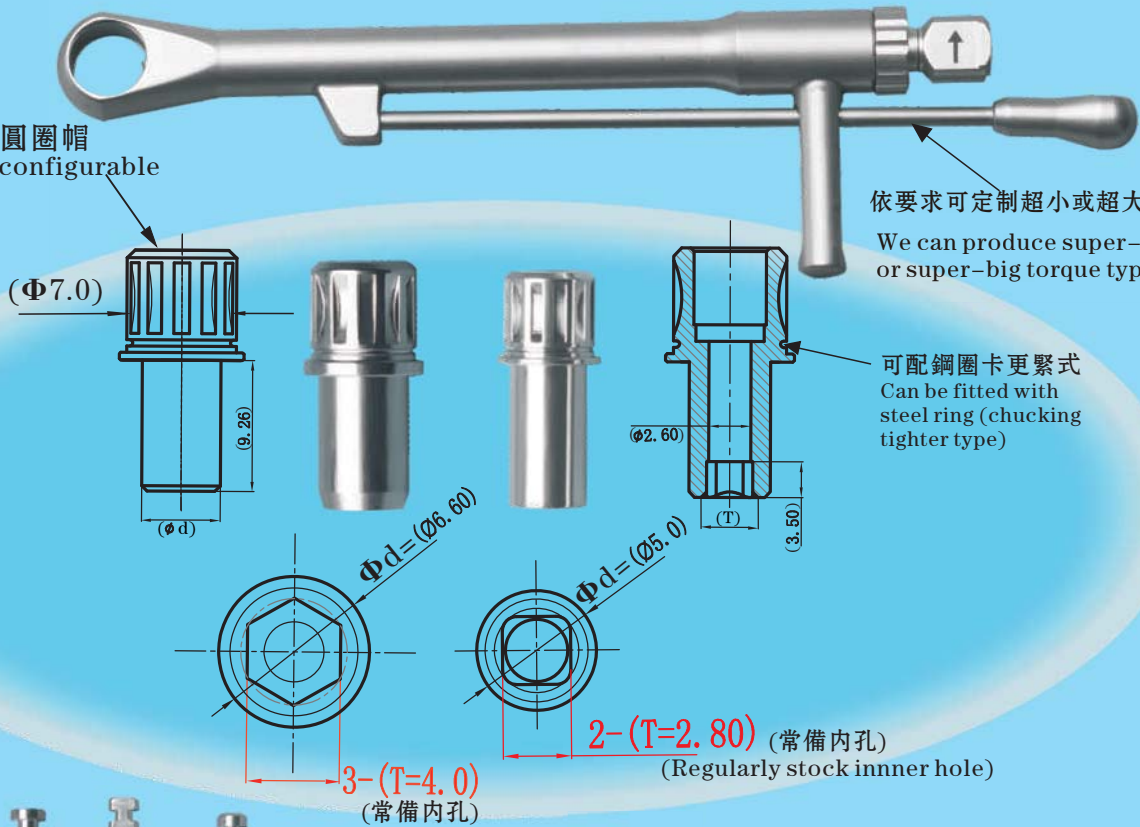
醫用工具及配件系列 (扭力扳手/轉接頭/螺絲起子)
 Medical tools and parts series (Torque Wrench/Adapter/Screwdriver)
 醫療器具及び部品シリーズ (トルクレンチ/アダプター/スクロードライバー)

(可不同顏色處理&複雜成型加工)
 (different colors treatment & complex forming processing available)
 (多色處理&複雜成型加工可)

必要可配置圓圈帽
 Circle cap is configurable if necessary.

依要求可定制超小或超大扭力型
 We can produce super-small or super-big torque type

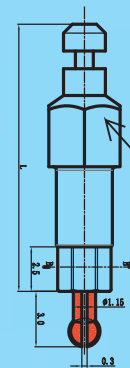
可配鋼圈卡更緊式
 Can be fitted with steel ring (chucking tighter type)



(Regularly stock inner hole)

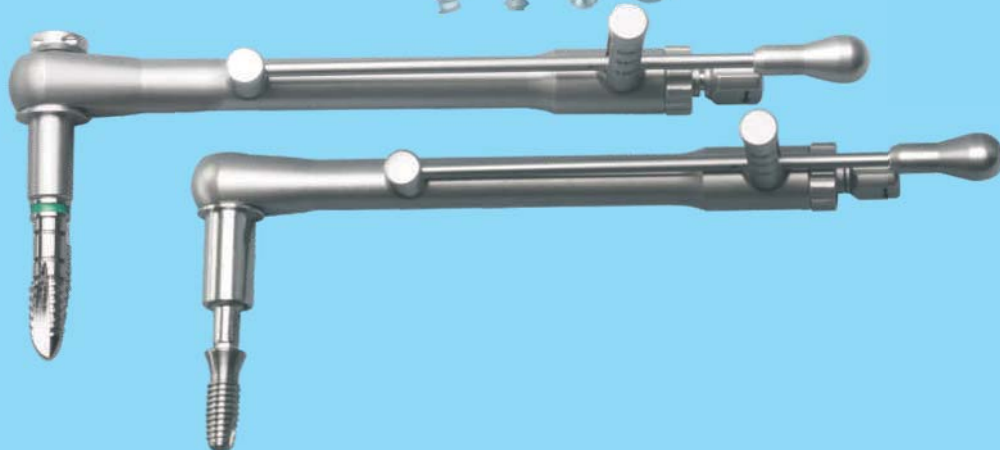
可定制不同顏色的高耐磨 PEEK/PPSU 扁成型 (非純圓圈類) 的高端卡圈。
 (需在起子定制前明確尺寸)

we can customize high wear-resistant PEEK/PPSU flat forming (not pure circle type) high-end rand of different colors



配用卡入的多邊形, 可依要求定制

To match the polygons, we could customize the production according to your requirement



★ 超高防銹高硬度高耐磨、高剛性、高抗衝擊、高韌性不銹鋼、鈦、鈦合金等高精度、超細、超長、超硬加工成型。
 Ultra-high rust-resistant, high-hardness, high-wear-resistant, high-rigidity, high-impact-resistant & high-toughness stainless steel, titanium, titanium alloy, etc., with high-precision, ultra-fine, ultra-long, super-hard machine shaping.