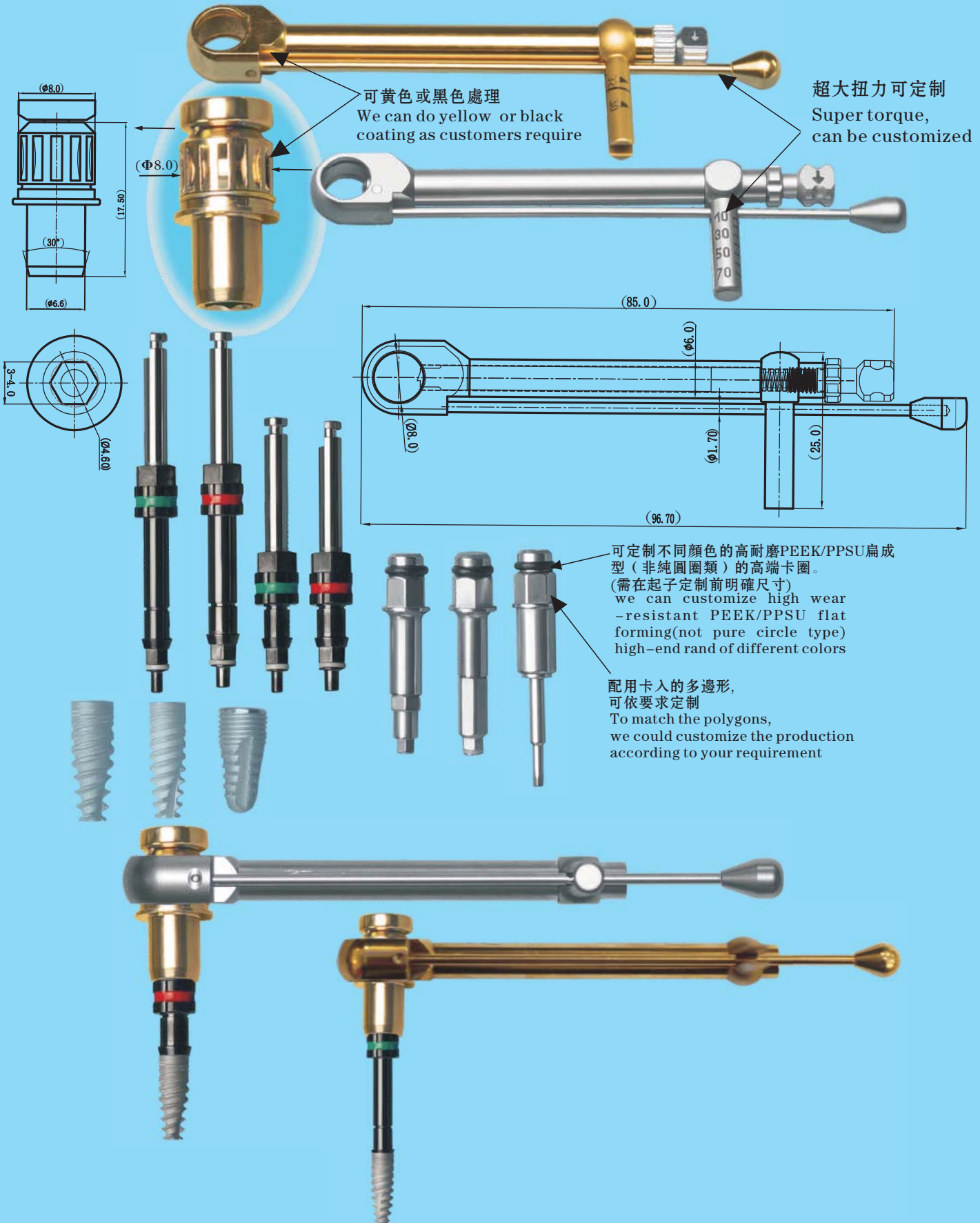


醫用工具及配件系列 (扭力扳手/转接头)  
 Medical tools and parts series (Torque Wrench/Adapter)  
 医療器具及び部品シリーズ (トルクレンチ/アダプター)

(可不同顏色處理&複雜成型加工)  
 (different colors treatment & complex forming processing available)  
 (多色處理&複雜成型加工可)



★ 超高防銹高硬度高耐磨、高剛性、高抗衝擊、高韌性不銹鋼、鈦、鈦合金等高精度、超細、超長、超硬加工成型。  
 Ultra-high rust-resistant, high-hardness, high-wear-resistant, high-rigidity, high-impact-resistant & high-toughness stainless steel, titanium, titanium alloy, etc., with high-precision, ultra-fine, ultra-long, super-hard machine shaping.