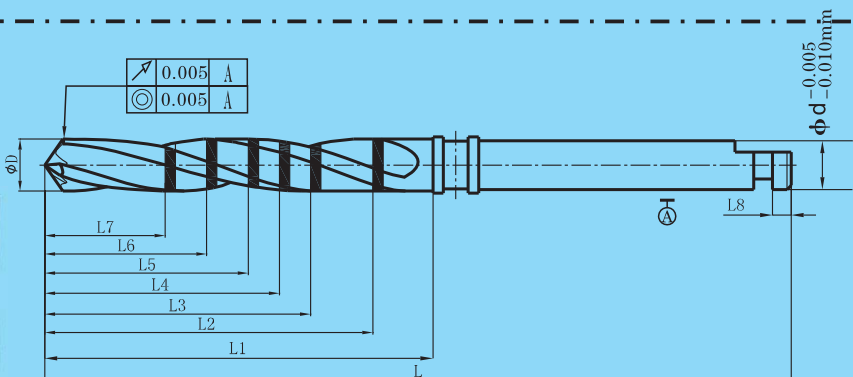


部分尺寸some sizes

	刃徑 ϕD Diameter	2.5	3.0	3.25	3.5	3.75
	有效刃長 L1 Effective length of cutting edge 刃の長さ	18	18	18	18	18
	柄徑 ϕd Shank Dia.	2.35	2.35	2.35	2.35	2.35
	總長 L Overall length 總長さ	38	38	38	38	38
	刃數 Z No. of flute	2	2	2	2	2



部分尺寸some sizes

	刃徑 ϕD Diameter	2.2	2.5	2.8	3.0	3.3	3.5	4.0
	有效刃長 L1 Effective length of cutting edge 刃の長さ	18.7	18.7	18.7	18.7	18.7	18.7	18.7
	柄徑 ϕd Shank Dia.	2.35	2.35	2.35	2.35	2.35	2.35	2.35
	總長 L Overall length 總長さ	36	36	36	36	36	36	36
	刃數 Z No. of flute	3	3	3	3	3	3	3

* 必要可帶穿透&不穿透，不同等級加工的中空、空芯內孔加工。

With or without penetration, hollow & hollow core inner hole process with different grades.
 必要に応じて、貫通付き&貫通なし、各レベル加工での中空、中空内穴加工。

★ 可超硬、超精研磨。任意的柄部類型、芯厚、容屑槽寬度、刃背方式、鑽尖方式、內冷卻孔方式、刃部結構、刃口角度、刃口鋒利程度之要求。及高可至 $\pm 0.003\text{mm}$ ($3\mu\text{m}$) 的尺寸公差要求 We can produce with super hard and super finish grinding and satisfy your requirement of any type of shank, web thickness, width of chip flute, land, drill tip, inner cooling hole, structure of cutting edge, angle of cutting edge, degree of sharpness of cutting edge, and the dimension tolerance can be up to $\pm 0.003\text{mm}$ ($3\mu\text{m}$)