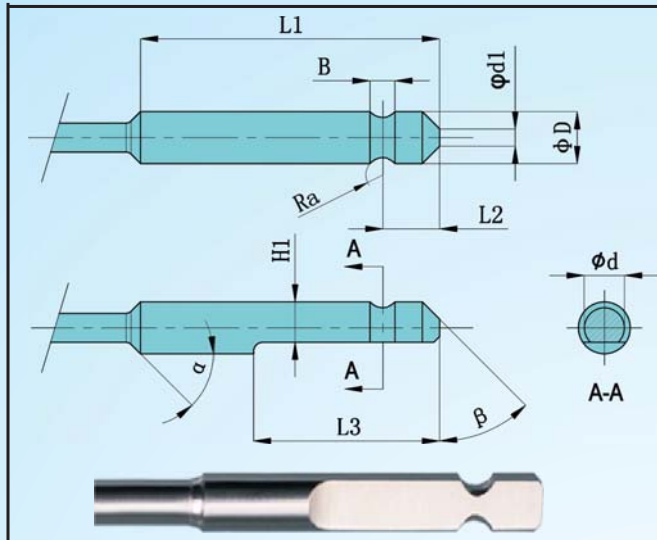


刀具, 配件 (钻头/起子) 部分柄部类型

Partial shank types for cutters, accessories(drills/drivers)

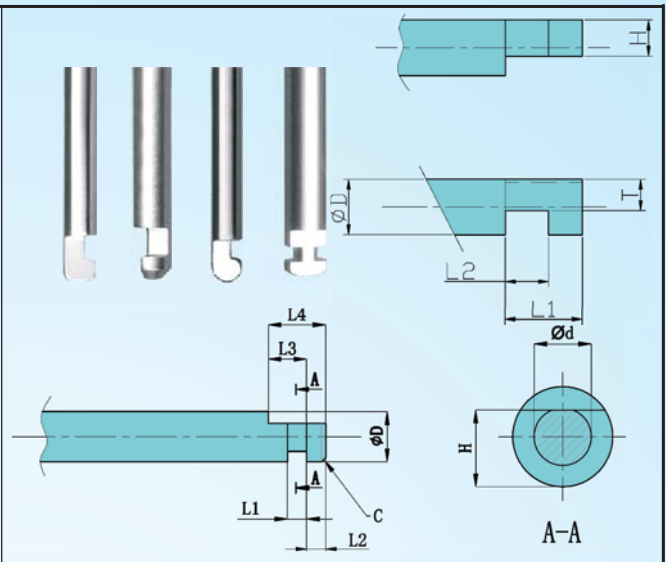
★、各種鑽頭、鑽套可以採用任意材料及幾何形狀、成型超精、超硬研磨成型  
 ★、All drills and tappers are available in any material and geometrical shape by superfinishing and superhard grinding

超高防銹高硬度型 (AA) & 超高耐磨型 (A/AA) & 可超高精密加工  
 (Super-high anti-rust and high hardness type(AA)&Super wear-resistant type(A/AA)&Super-high precision process)  
 (超高防銹高硬度型(AA)&超耐磨型(A/AA)&超精密加工可)



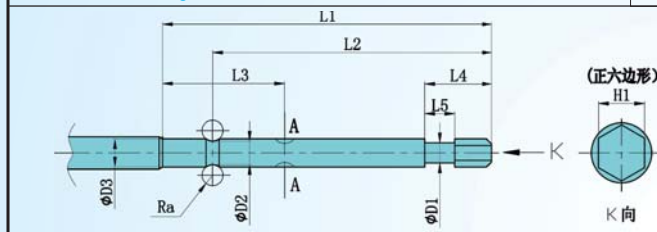
注意: L3、L2的尺寸公差要求?  
 Note: The requirement of dimension tolerance for L3,L2?

A



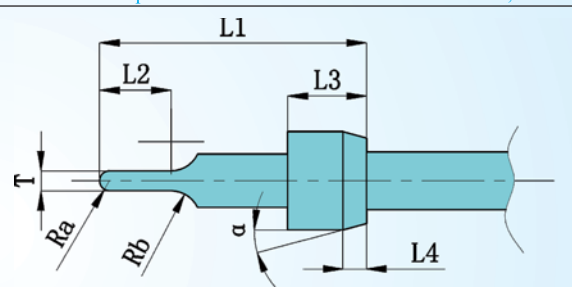
注意: L2、L4的尺寸公差要求?  
 Note: The requirement of dimension tolerance for L2,L4?

B

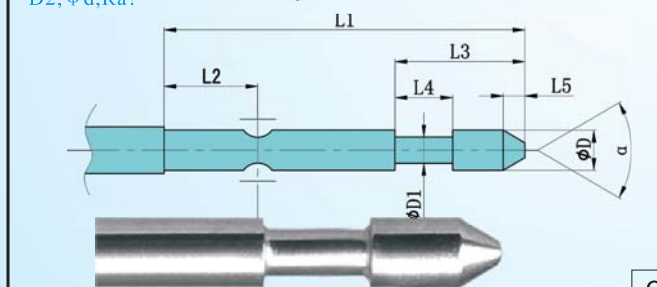


注意: phi D2、phi d、Ra的尺寸公差要求?  
 Note: The requirement of dimension tolerance for phi D2, phi d,Ra?

C

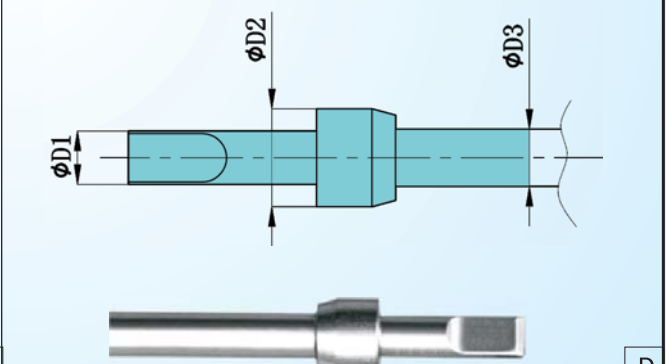


D

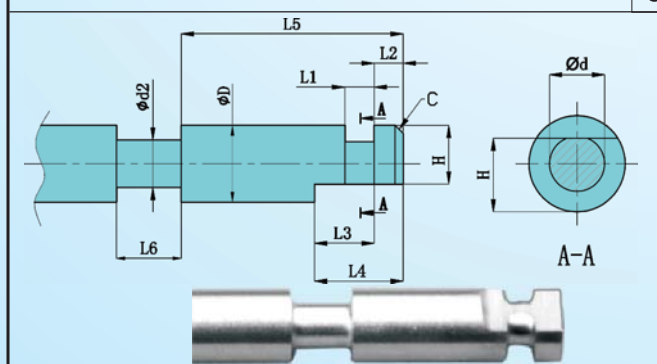


注意: L2、L4的尺寸公差要求?  
 Note: The requirement of dimension tolerance for L2,L4?

E

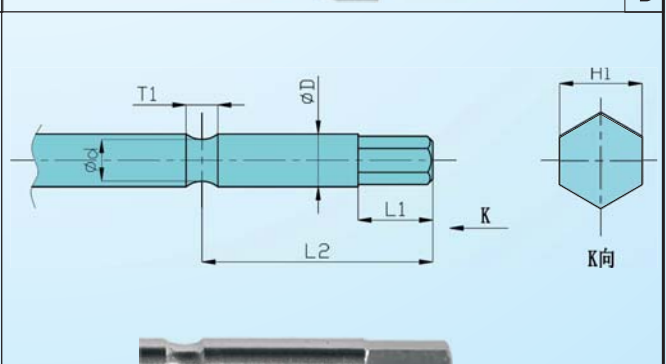


F



注意: L2、L4的尺寸公差要求?  
 Note: The requirement of dimension tolerance for L2,L4?

E



F

★、依圖依樣尺寸公差要求可生產特殊、複合、異型、超大超細超長組合成型的系列刀具。We can produce special, compound, special-shaped, super-large/ super-thin/ super-long combined profile series tooling according to requirements of drawings, samples, and dimension tolerance. 圖面、サンプル、または寸法の公差要求により特殊、複合、異型または超大、超細、超長の組合せ成型のシリーズカッタを生産できる。